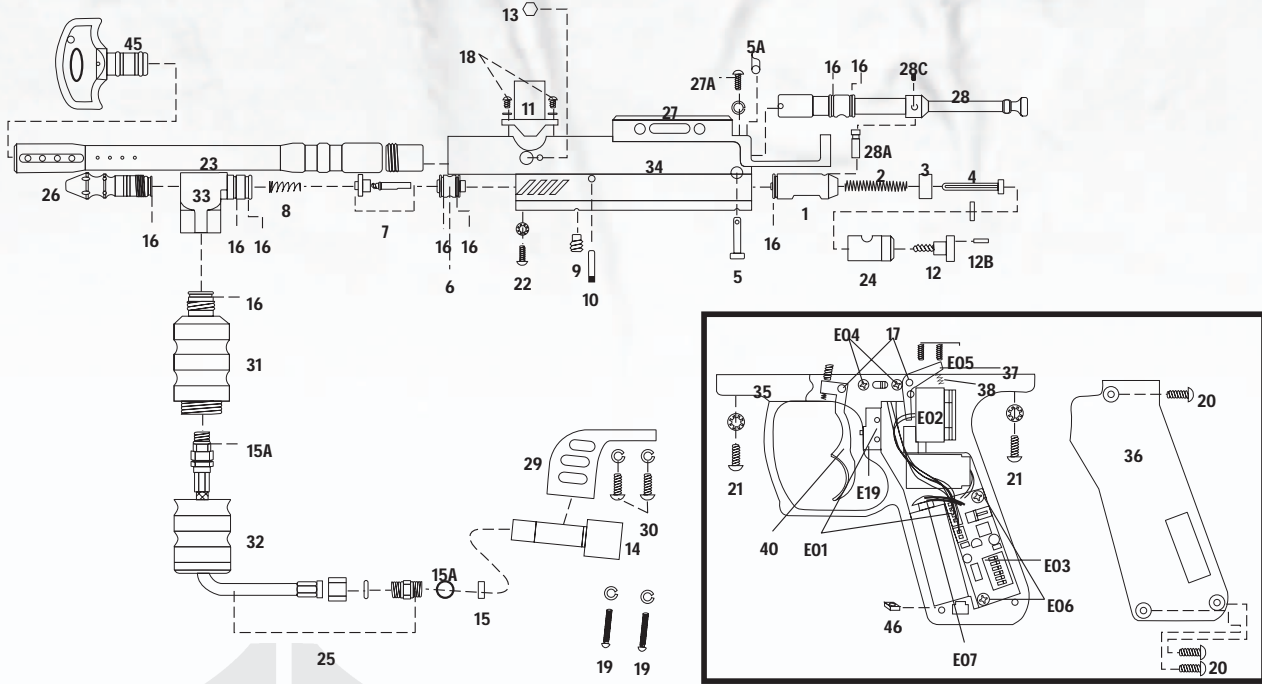


ICON E

Icon E Schematic



Order schematics parts online at www.paintballsolutions.com or call 1-800-220-3222

NPS EXCLUSIVE PARTS

ICON E Parts List

- | | | |
|--------------------------|-----------------------------|-----------------------------------|
| 1. Hammer | 22. Vertical ASA Screw | 31. Expansion Chamber |
| 2. Main Spring | B. Locking Set Screw | 32. Gas-Thru |
| 3. Recoil Pad | 23. Barrel | 33. Vertical ASA |
| 4. Spring Strut | 24. Hammer Plug | 34. Main Body |
| 5. Quick Strip Pin | 25. Gas Line | 35. Grip Frame |
| A. R-Clip | 26. Low Pressure Chamber | 36. Grip Panels |
| 6. Gas Valve | 27. Sight Rail | 37. Electronic Sear |
| 7. Cupseal | A. Sight Rail Screw | 38. Sear Spring |
| 8. Valve Spring | 28. Bolt | 40. Trigger |
| 9. Valve Gas Plug | A. Connecting Pin | 45. Barrel Plug |
| 10. Valve Stop Pin | C. Connecting Pin Set Screw | 46. Drop Forward Re-tension Screw |
| 11. Vertical Feed Neck | 29. Drop Forward | |
| 12. Velocity Adjuster | 30. Drop Forward Screws | |
| 13. Metal Ball Detent | | |
| 14. Tank Adapter | | |
| 15. Air Filter | | |
| A. Air Filter O-Ring | | |
| 16. Multi-Use O-Ring | | |
| 17. Grip Frame Pin Set | | |
| 18. Vertical Feed Screws | | |
| 19. Bottomline Screws | | |
| 20. Grip Panel Screws | | |
| 21. Grip Frame Screws | | |

ELECTRONIC GRIP FRAME Parts List

- | | | |
|------------------------------------|---------------------------|--------------------------|
| E01. Wiring Harness/Trigger Switch | E04. ON/OFF Switch Screws | E06. Circuit Board Screw |
| E02. Solenoid | E05. Solenoid Set Screws | E07. Battery Lead |
| E03. Circuit Board | | |



Icon E

