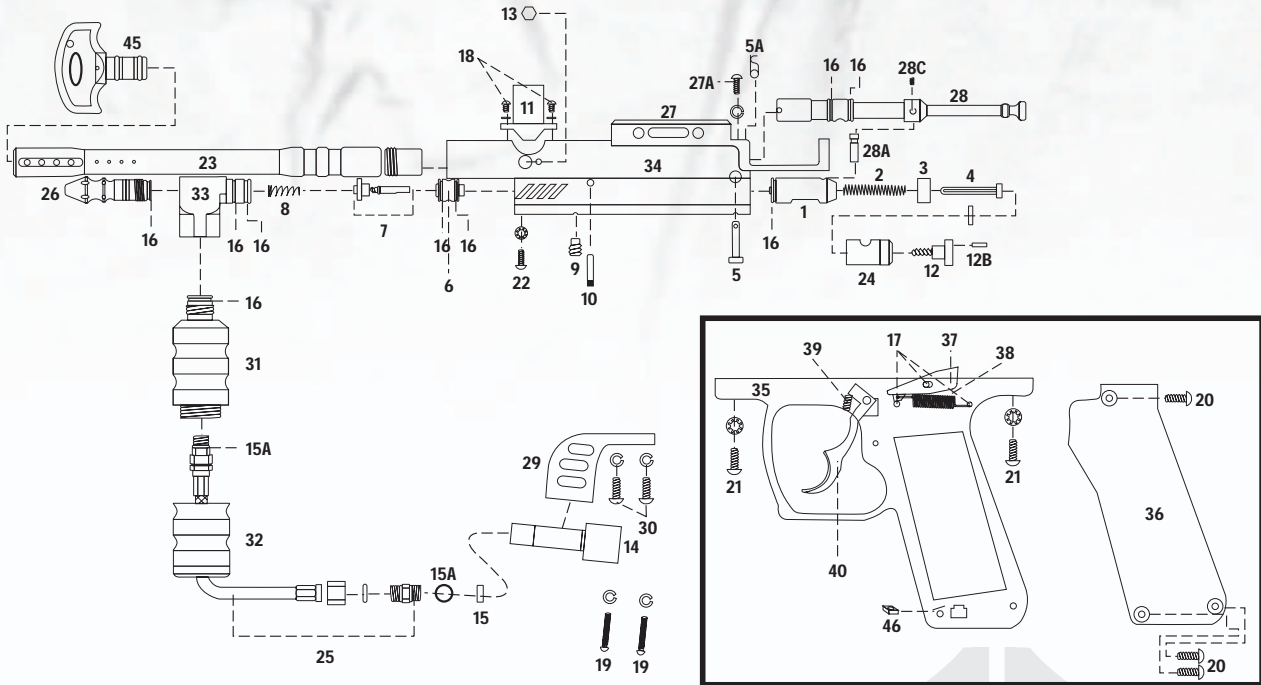


# ICON Z

Icon Z Schematic



## NPS EXCLUSIVE PARTS



Order schematics parts online at [www.paintballsolutions.com](http://www.paintballsolutions.com) or call 1.856.464.1068 Ext. 203

### ICON Z Parts List

- |                        |                             |                                   |
|------------------------|-----------------------------|-----------------------------------|
| 1. Hammer              | A. Air Filter O-Ring        | 29. Drop Forward                  |
| 2. Main Spring         | 16. Multi-Use O-Ring        | 30. Drop Forward Screws           |
| 3. Recoil Pad          | 17. Grip Frame Pin Set      | 31. Expansion Chamber             |
| 4. Spring Strut        | 18. Vertical Feed Screws    | 32. Gas-Thru                      |
| 5. Quick Strip Pin     | 19. Bottomline Screws       | 33. Vertical ASA                  |
| A. R-Clip              | 20. Grip Panel Screws       | 34. Main Body                     |
| 6. Gas Valve           | 21. Grip Frame Screws       | 35. Grip Frame                    |
| 7. Cupseal             | 22. Vertical ASA Screw      | 36. Grip Panels                   |
| 8. Valve Spring        | 23. Barrel                  | 37. Electronic Sear               |
| 9. Valve Gas Plug      | 24. Hammer Plug             | 38. Sear Spring                   |
| 10. Valve Stop Pin     | 25. Gas Line                | 39. Trigger Spring                |
| 11. Vertical Feed Neck | 26. Low Pressure Chamber    | 40. Trigger                       |
| 12. Velocity Adjuster  | 27. Sight Rail              | 45. Barrel Plug                   |
| B. Locking Set Screw   | 28. Bolt                    | 46. Drop Forward Re-tension Screw |
| 13. Metal Ball Detent  | A. Connecting Pin           |                                   |
| 14. Tank Adapter       | A. Sight Rail Screw         |                                   |
| 15. Air Filter         | C. Connecting Pin Set Screw |                                   |

