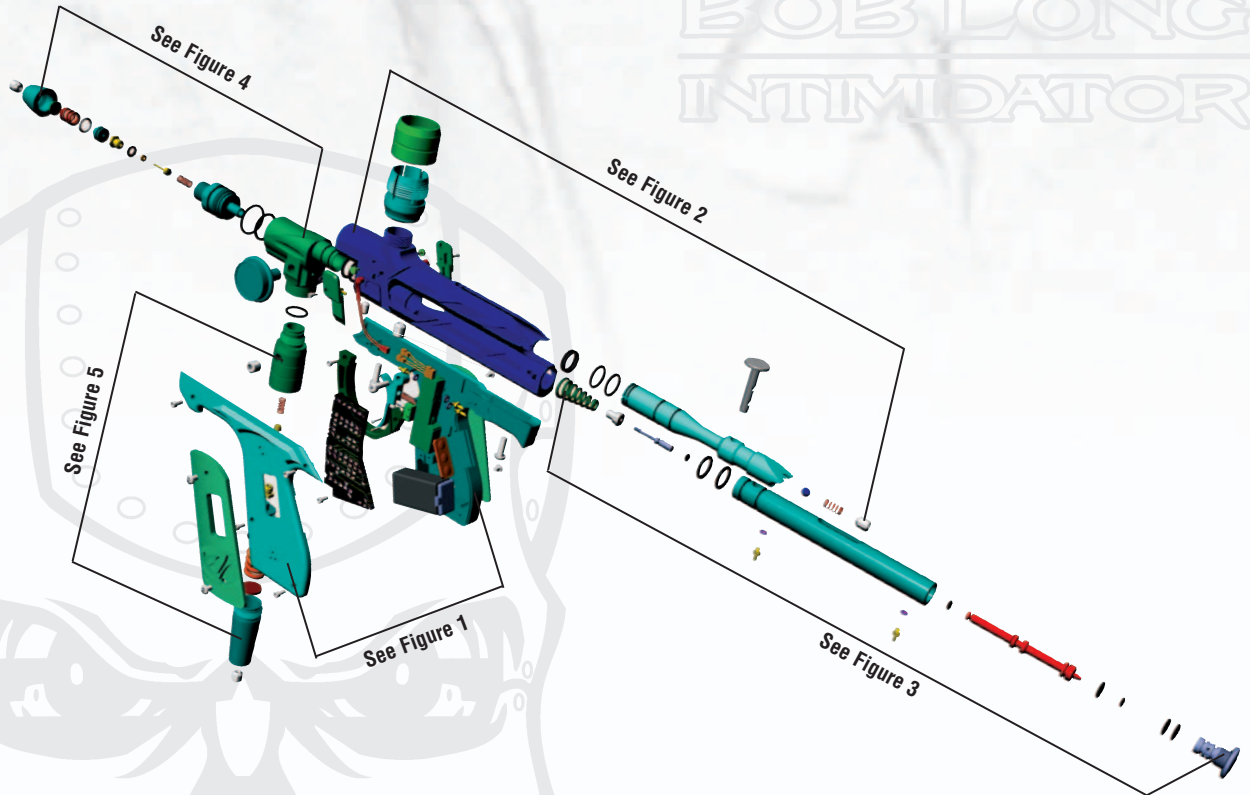



# BOB LONG INTIMIDATOR

Intimidator Schematic



BOB LONG  
INTIMIDATOR

## NPS EXCLUSIVE PARTS

 Order schematics parts online at [www.paintballsolutions.com](http://www.paintballsolutions.com) or call 1-800-220-3222



Schematics shown will work for the following markers.

### Intimidator Markers



Empire Intimidator



Alias Intimidator



Naughty Dog Intimidator



Dark Timmy Intimidator



A-Bomb Intimidator



Russian Legion Intimidator

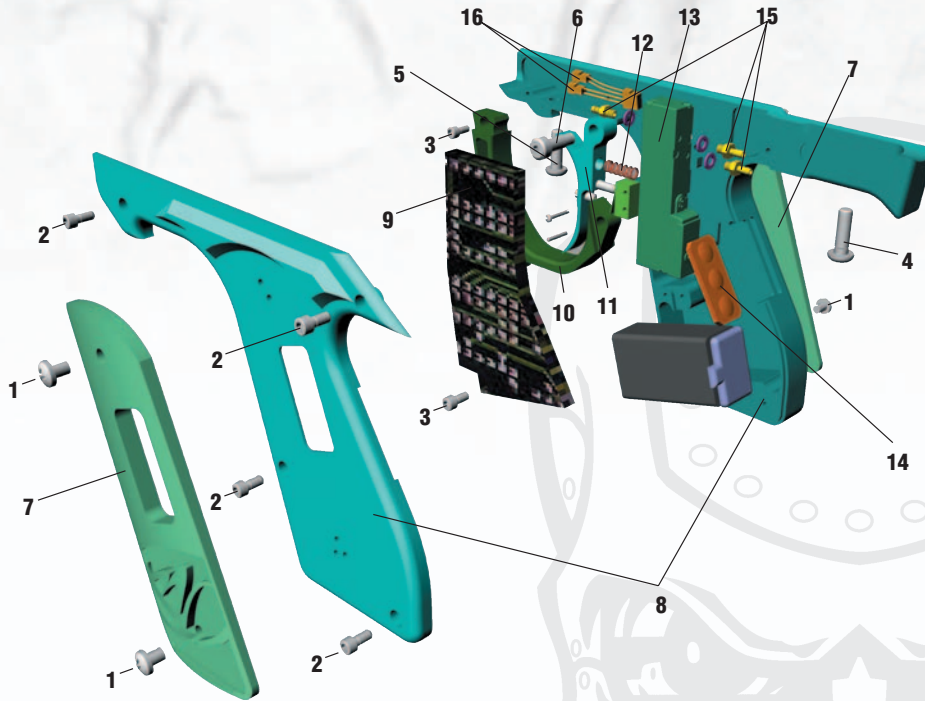
# BOB LONG INTIMIDATOR

Intimidator Grip Schematic



NPS PARTS

Figure 1



## NPS EXCLUSIVE PARTS



Order schematics parts online at [www.paintballsolutions.com](http://www.paintballsolutions.com) or call 1-800-220-3222

### Intimidator Grip Parts List

- |                            |                     |
|----------------------------|---------------------|
| 1. Grip Panel Screws       | 13. Solenoid        |
| 2. Side Plate Screws       | 14. Membrane        |
| 3. Board Set Screw         | 15. High Flow Barbs |
| 4. Back Grip Screw 10/32   | 16. Eye Harness     |
| 5. Front Grip Screw 10/32  | *17. Main Harness   |
| 6. Trigger Retaining Screw |                     |
| 7. Grip Panel              |                     |
| 8. Alias Clamshell         |                     |
| 9. 2K4 Board               |                     |
| 10. Trigger Guard          |                     |
| 11. Trigger                |                     |
| 12. Trigger Spring         |                     |



\*Not Shown In Schematic

# BOB LONG INTIMIDATOR

Intimidator Body/Ram Sleeve Schematic



NPS PARTS

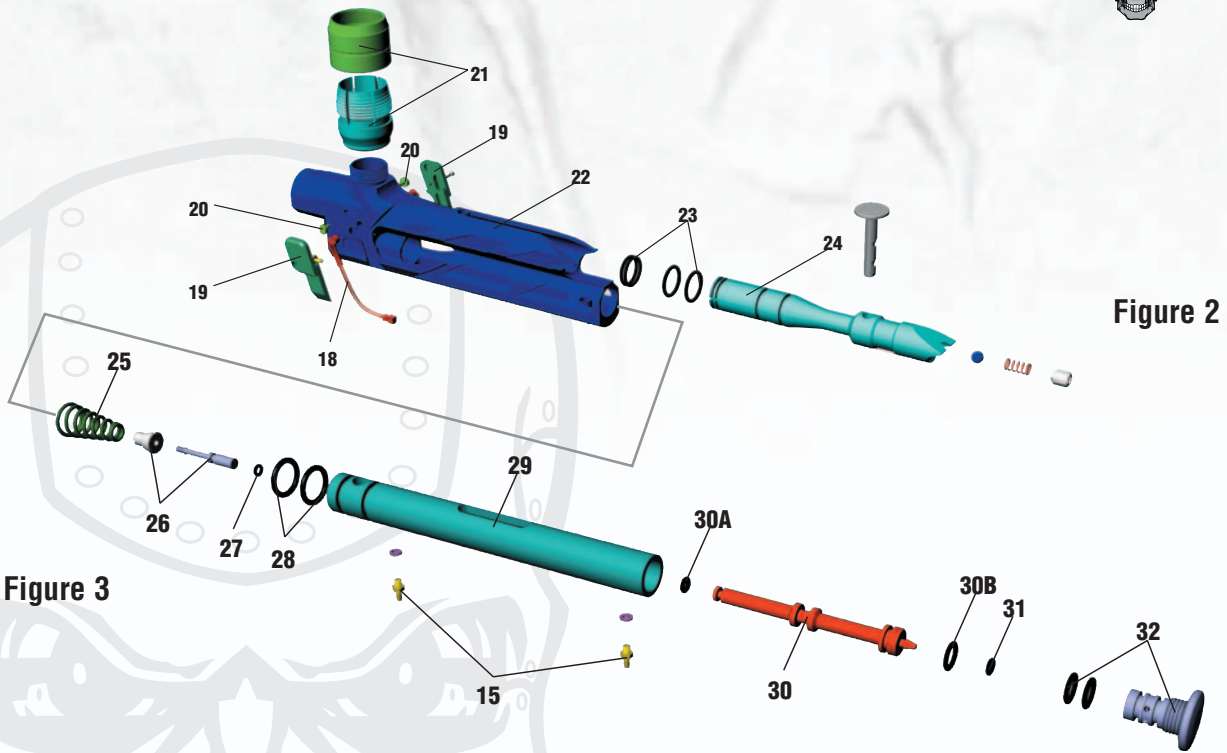


Figure 3

Figure 2

## NPS EXCLUSIVE PARTS



Order schematics parts online at [www.paintballsolutions.com](http://www.paintballsolutions.com) or call 1-800-220-3222

### Intimidator Body Parts List

- 18. Eye
- 19. Eye Cover
- 20. Ball Detent
- 21. Clamp Feed Neck
- 22. Main Body
- 23. 015 Bolt O-Ring
- 24. Bolt

### Intimidator Ram Sleeve Parts List

- 25. Valve Spring
- 26. Poppet
- 27. Poppet O-Ring
- 28. Sleeve O-Ring
- 29. Ram Sleeve
- 15. High Flow Barbs
- 30. Hammer
  - A. 06 Front Hammer O-Ring
  - B. 011 Back Hammer O-Ring
- 31. Rubber Bumper
- 32. Back Ram Cap
- 15. High Flow Barbs



# BOB LONG INTIMIDATOR

# BOB LONG INTIMIDATOR

Intimidator LPR/Torpedo Schematic



NPS PARTS

Figure 4

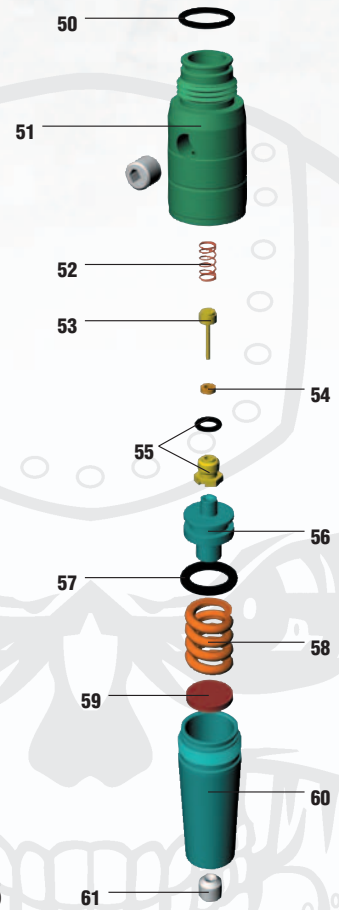
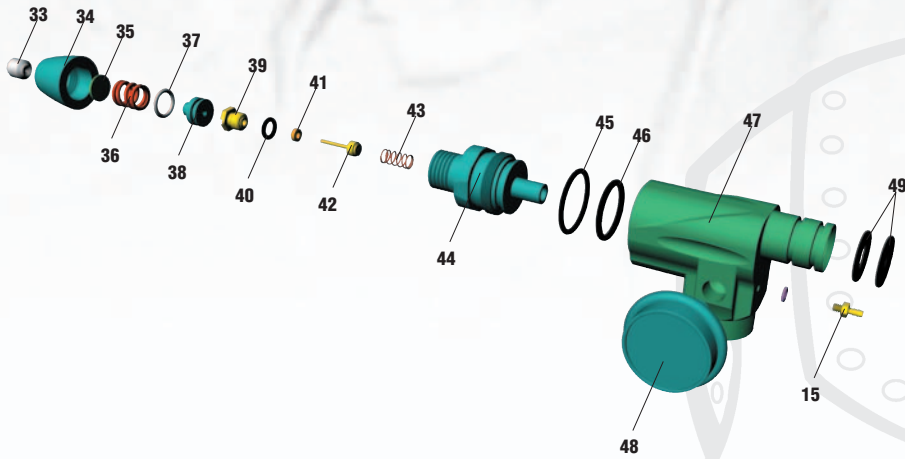


Figure 5



Order schematics parts online at [www.paintballsolutions.com](http://www.paintballsolutions.com) or call 1-800-220-3222

## NPS EXCLUSIVE PARTS

### Intimidator Individual LPR Parts List

- |                          |                       |
|--------------------------|-----------------------|
| 33. LPR Adjustment Screw | 42. LPR Stem          |
| 34. LPR Cap              | 43. LPR Stem Spring   |
| 35. LPR Washer           | 44. LPR Body          |
| 36. LPR Spring           | 45. 020 O-Ring        |
| 37. 011 O-Ring           | 46. 114 Square Gasket |
| 38. LPR Piston           | 47. LPR Housing       |
| 39. LPR Plug             | 48. Gauge             |
| 40. 010 O-Ring           | 49. 020 O-Ring        |
| 41. LPR Cupseal          | 15. High Flow Bars    |

### Intimidator Individual Torpedo Parts List

- |                       |                          |
|-----------------------|--------------------------|
| 50. 015 O-Ring        | 56. HPR Piston           |
| 51. Regulator Top Cap | 57. 013 O-Ring           |
| 52. Stem Spring       | 58. HPR Spring           |
| 53. Stem              | 59. Washer               |
| 54. Step Cupseal      | 60. Regulator Bottom     |
| 55. Plug              | 61. HPR Adjustment Screw |