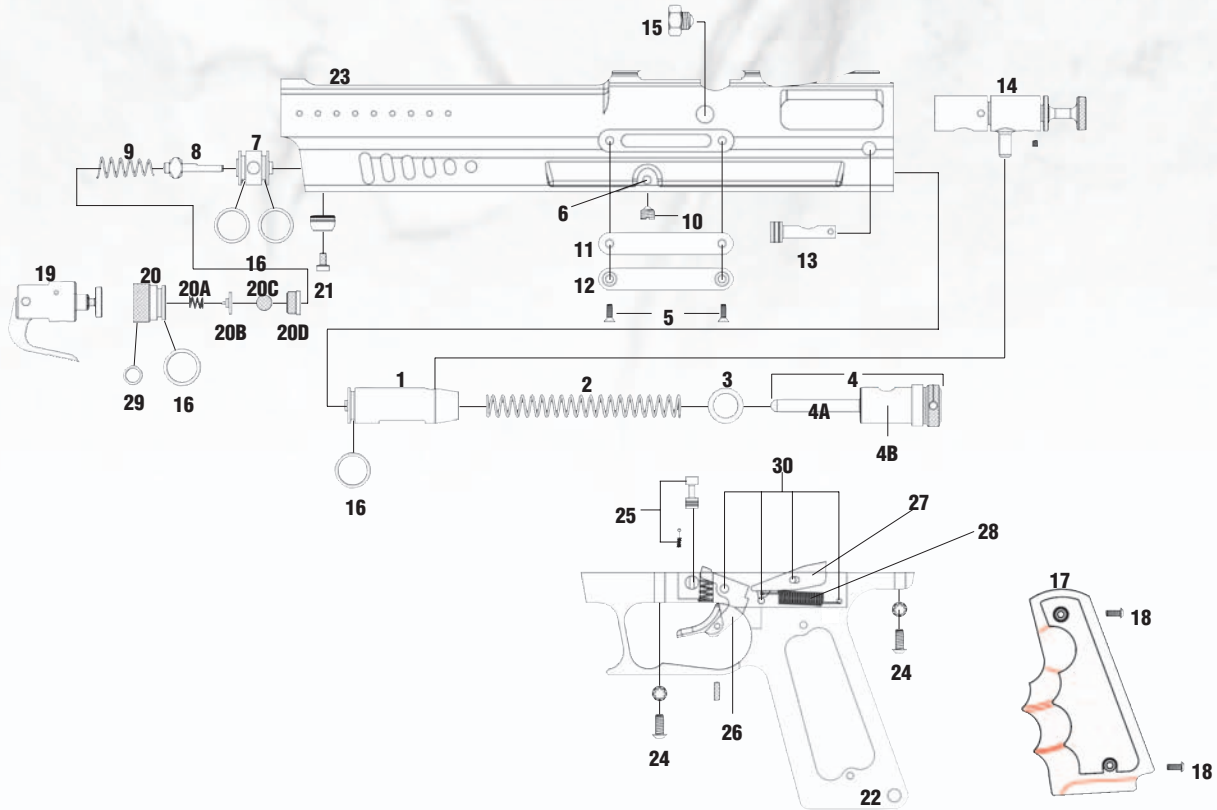


DELTA 68

Delta 68 Schematic



NPS EXCLUSIVE PARTS



Order schematics parts online at
www.paintballsolutions.com or call
 1-800-220-3222

Delta 68 Parts List

- | | | |
|------------------------|--------------------------------|----------------------------|
| 1. Hammer | 13. Quick Release Pin w/R-Clip | 23. Main Body |
| 2. Main Spring | 14. Bolt | 24. Grip Frame Screws |
| 3. Recoil Pad | 15. Metal Ball Detent | 25. Safety Assembly |
| 4. Velocity Adjuster | 16. Multi-Use O-Ring | 26. Trigger Plate |
| A. Spring Strut | 17. Wrap Around Grip Panels | 27. Sear |
| B. Hammer Plug | 18. Grip Panel Screws | 28. Sear Spring |
| 5. Air Plate Screws | 19. Gas Clamp | 29. Valve Face Seal O-Ring |
| 6. Valve Stop Pin | 20. Valve Face | 30. Grip Frame Pin Set |
| 7. Gas Valve | A. Pressure Spring | |
| 8. Cupseal | B. Piercing Pin | |
| 9. Valve Spring | C. Air Filter | |
| 10. Valve Gas Plug | D. Valve Cap | |
| 11. Gasket | 21. Gas Clamp Screw | |
| 12. Air Transfer Plate | 22. Grip Frame | |



Delta 68